

Applicable Model

R29

Drawing Title

Intercom Panel

Drawing Unit

mm

Drawing Scale

Not to scale

**DRAFT
SUBJECT TO
CHANGE**

Last Revised

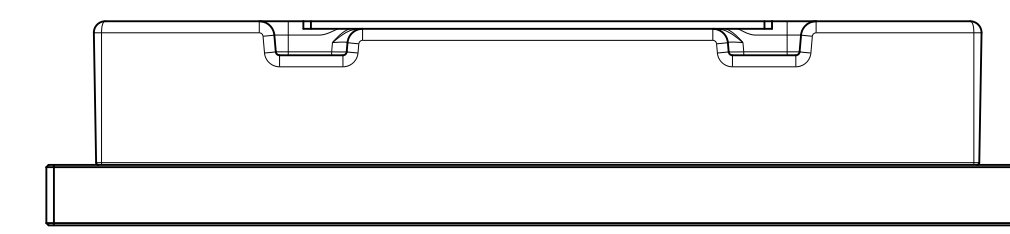
Mar 25,2020

Drawing Version

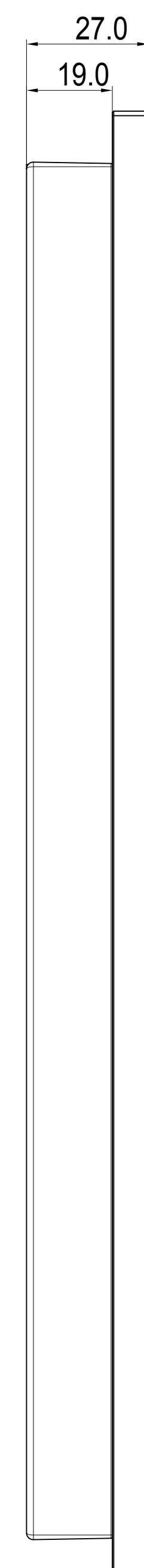
V1.0

Page

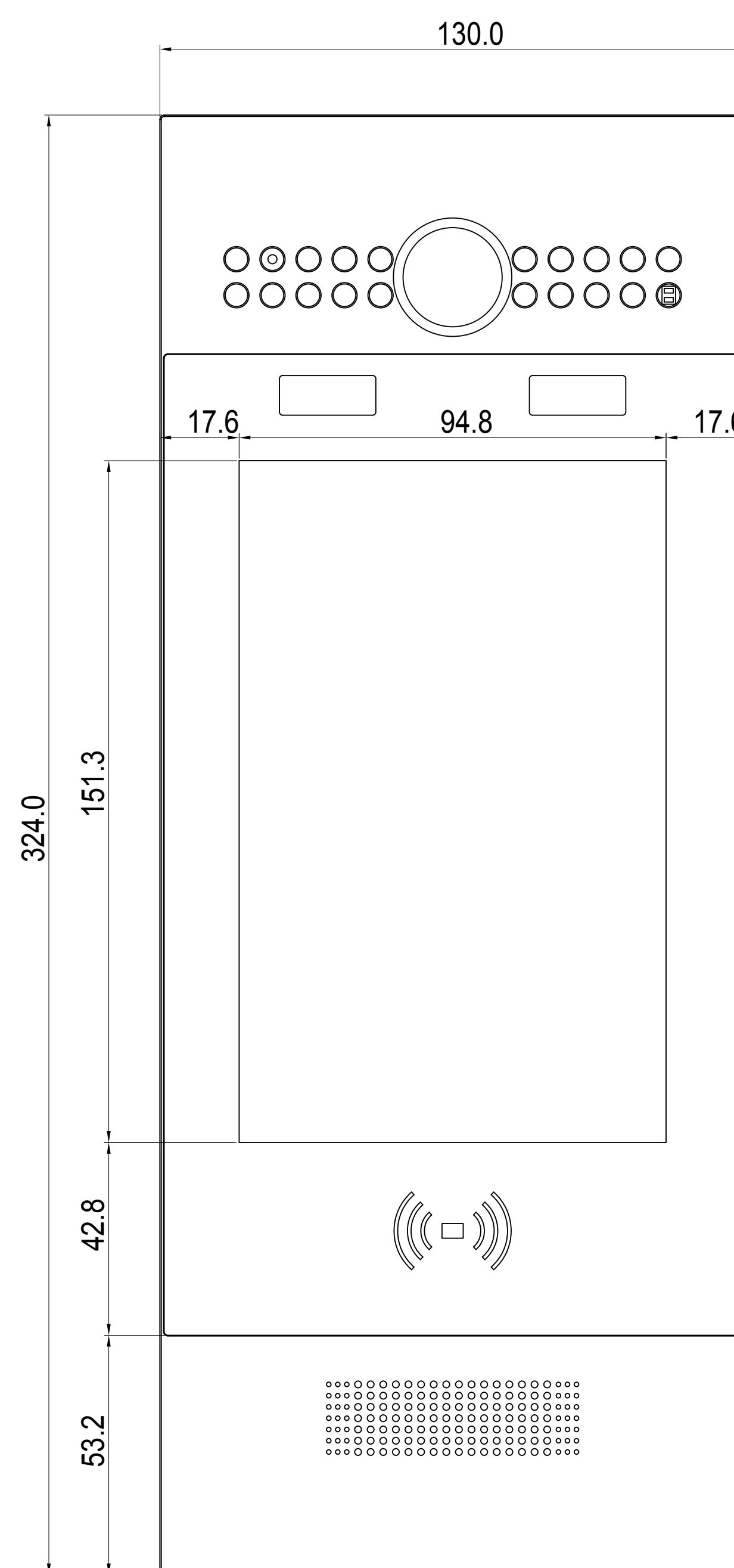
1 of 5



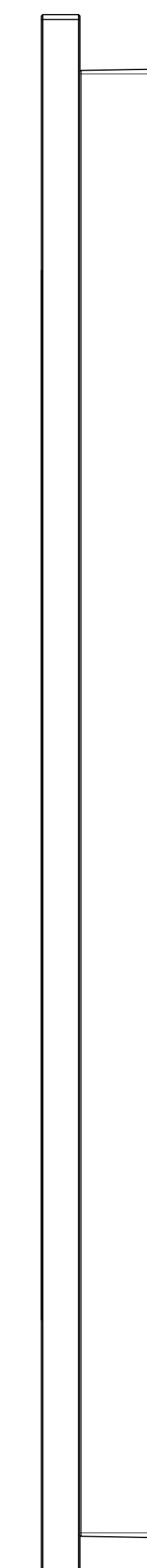
5 **TOP VIEW**



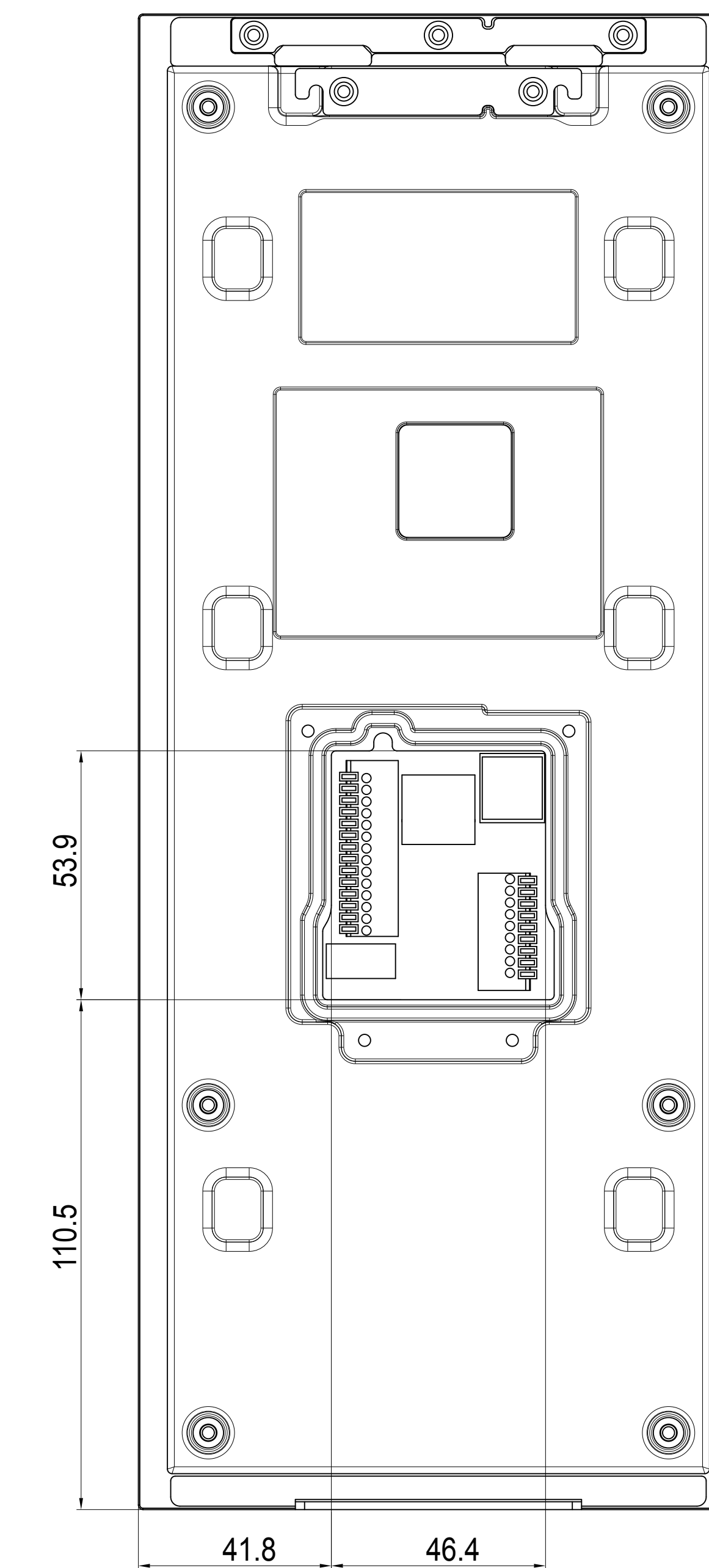
2 **RIGHT VIEW**



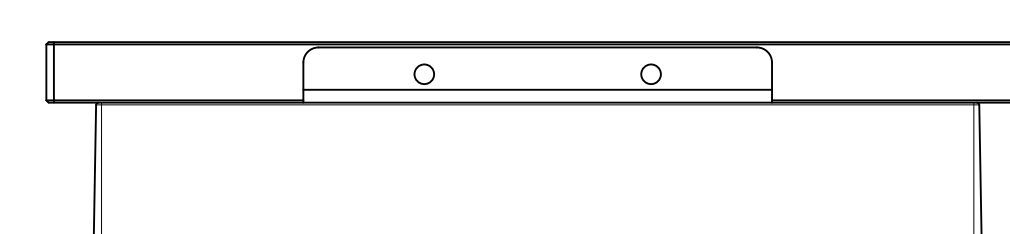
1 **FRONT VIEW**



3 **LEFT VIEW**



4 **BACK VIEW**



6 **BOTTOM VIEW**

Applicable Model

R29

Drawing Title

Wall Mounting Bracket

Drawing Unit

mm

Drawing Scale

Not to scale

**DRAFT
SUBJECT TO
CHANGE**

Last Revised

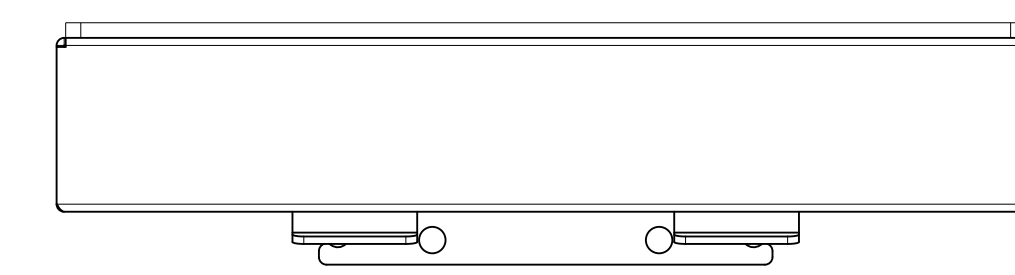
Mar 25,2020

Drawing Version

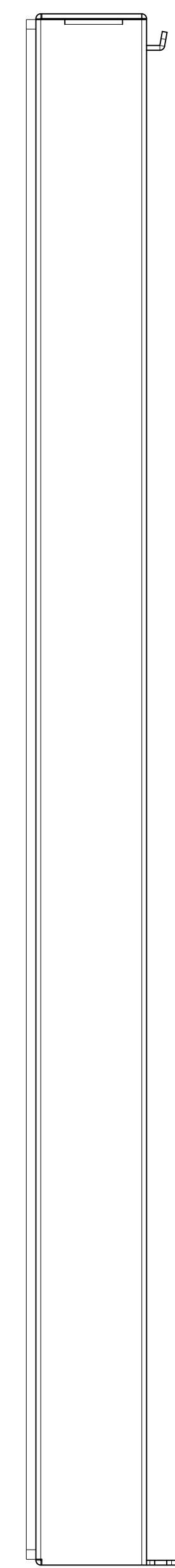
V1.0

Page

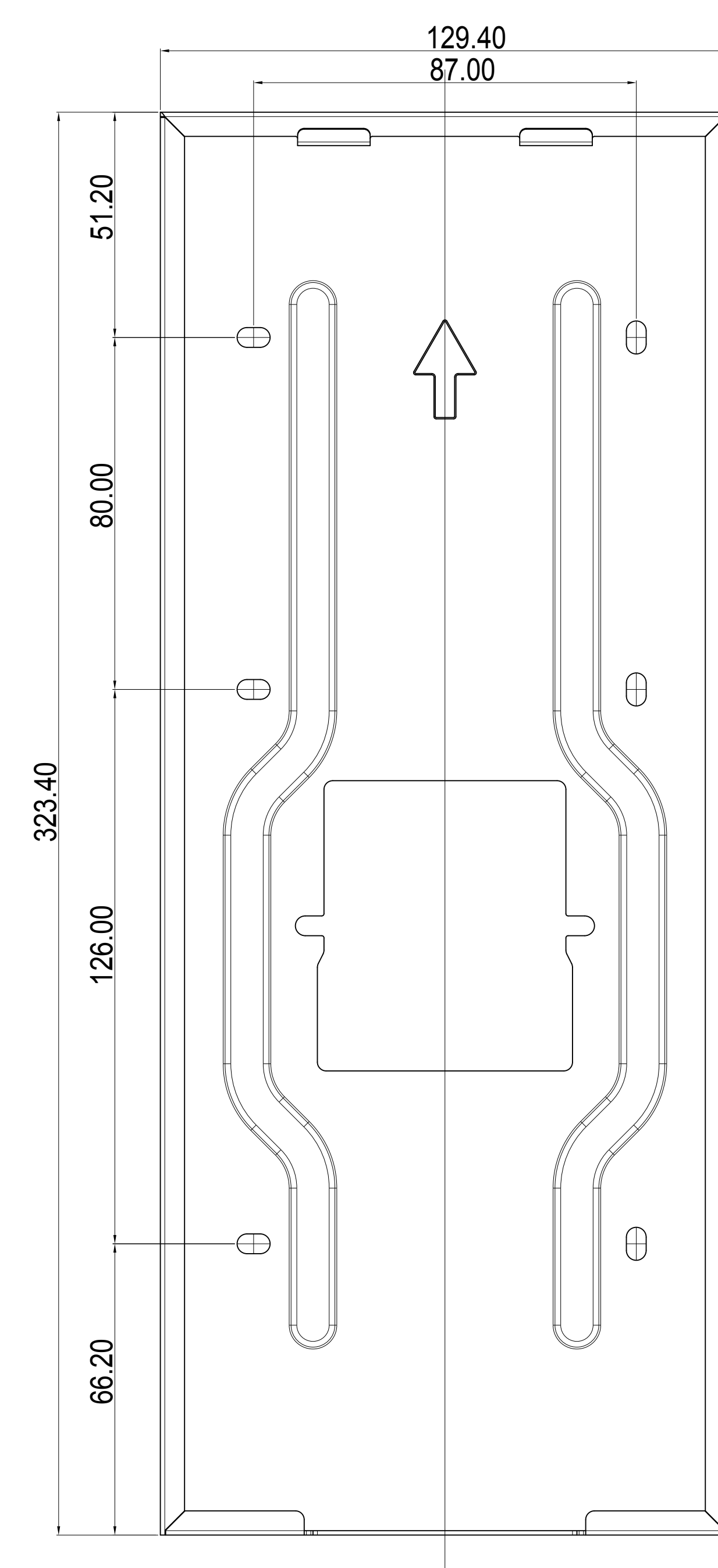
2 of 5



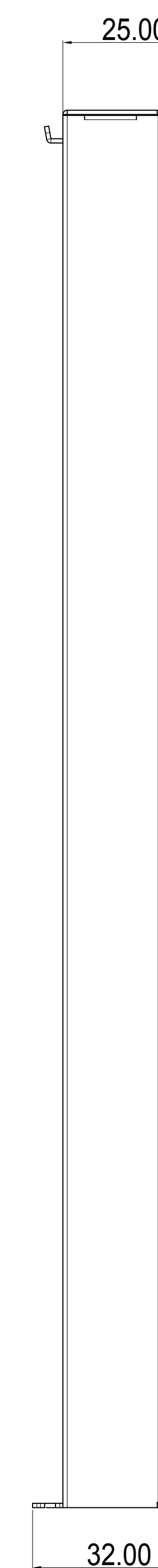
5 TOP VIEW



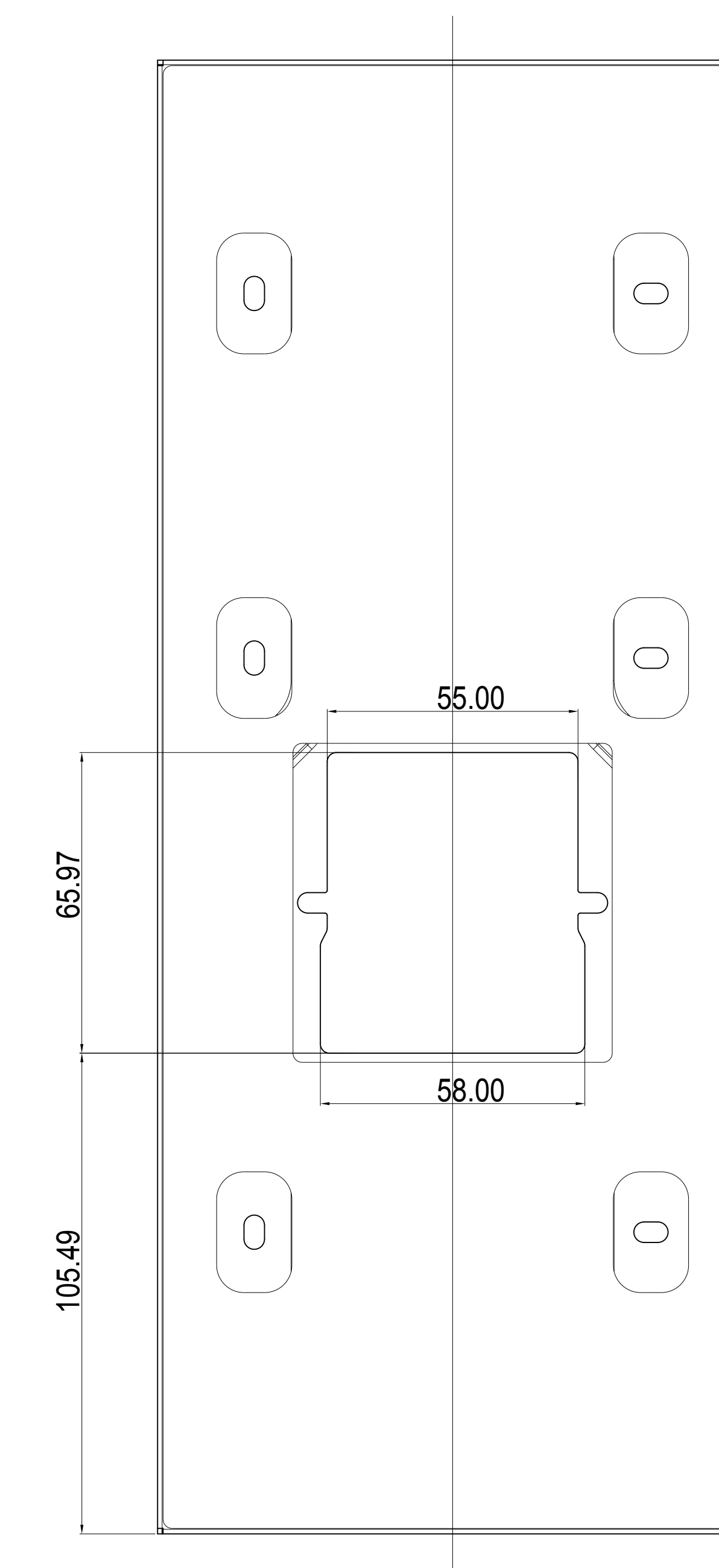
2 RIGHT VIEW



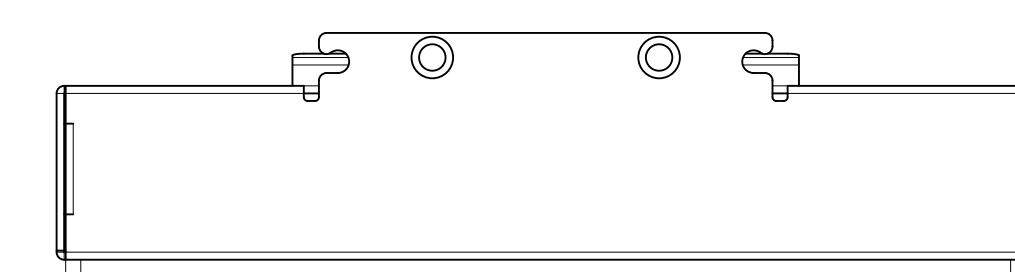
1 FRONT VIEW



3 LEFT VIEW



4 BACK VIEW



6 BOTTOM VIEW

Applicable Model

R29

Drawing Title

Placement

Drawing Unit

mm

Drawing Scale

Not to scale

**DRAFT
SUBJECT TO
CHANGE**

Last Revised

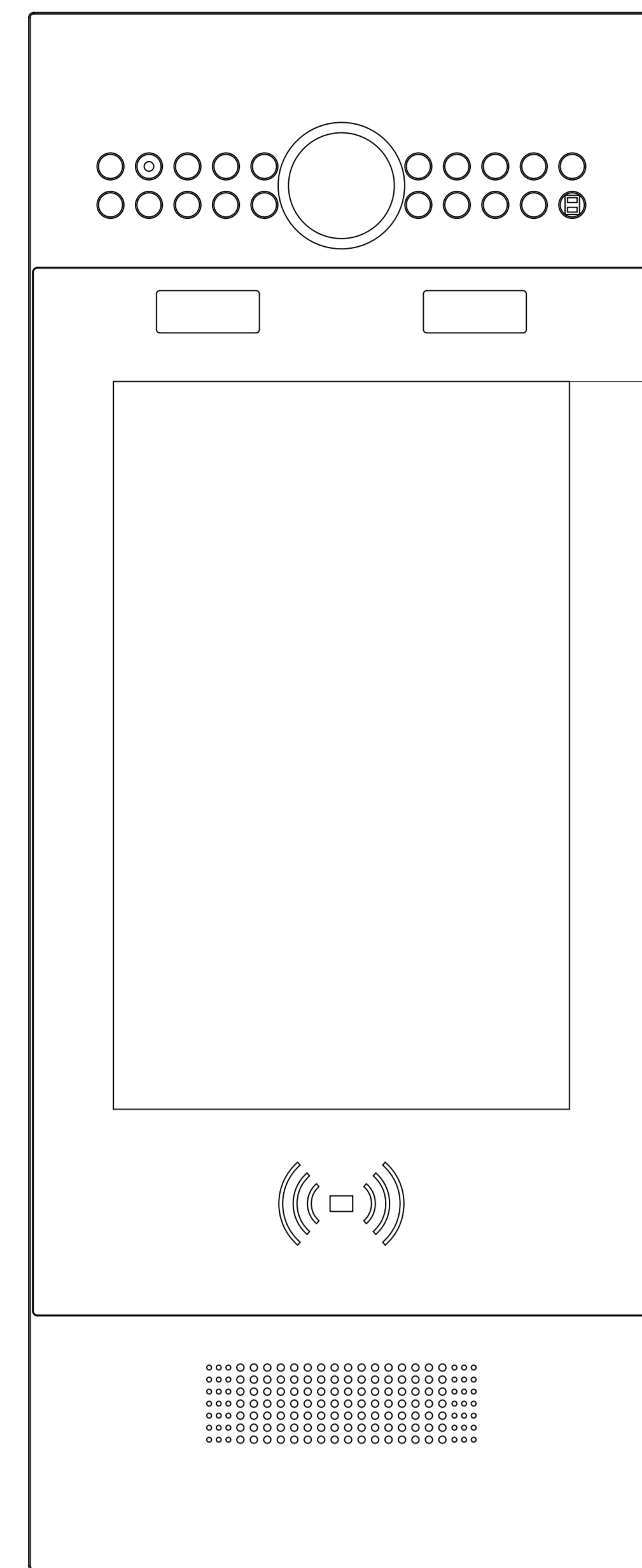
Mar 25,2020

Drawing Version

V1.0

Page

3 of 5



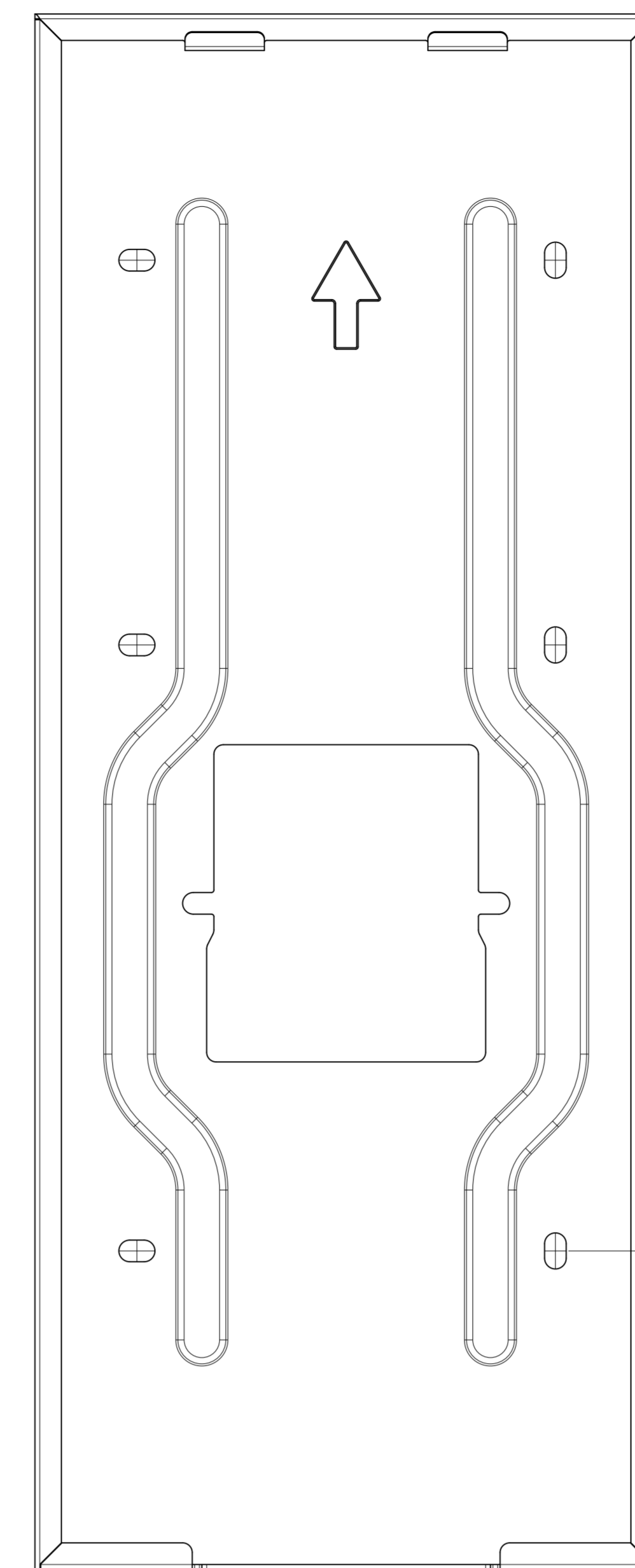
① INTERCOM PANEL FRONT VIEW

953mm TO BOTTOM OF PANEL

1200mm MAX TO TOP OF USABLE TOUCHSCREEN

ADA Compliance Requirement

GROUND

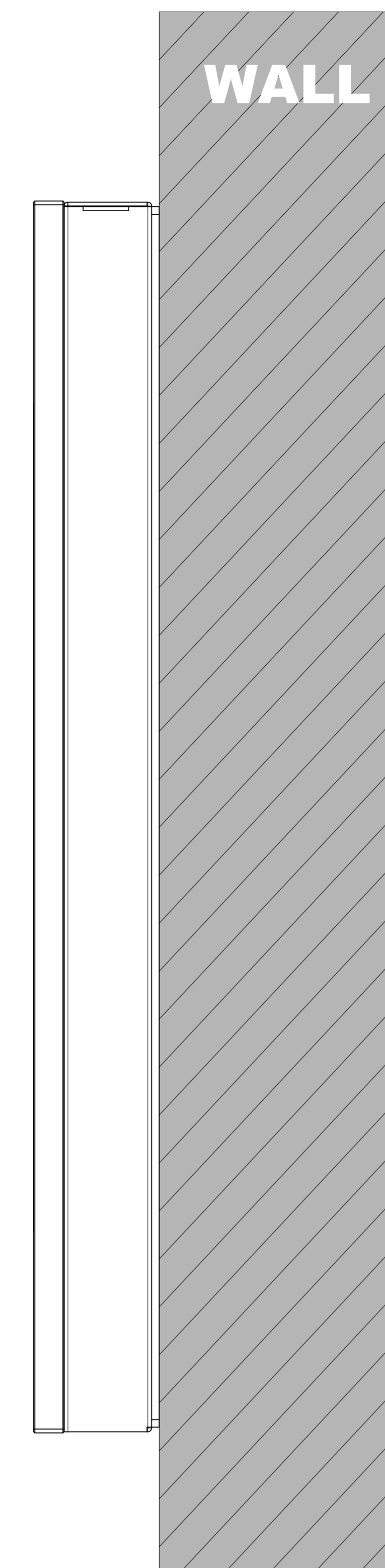


② FRONT VIEW:WALL MOUNTING BRACKET PLACEMENT

953mm TO BOTTOM OF BRACKET

1019mm TO SCREW HOLE CENTER OF BRACKET

GROUND



③ SIDE VIEW:INTERCOM ON WALL

Applicable Model

R29

Drawing Title

Flush Mounting Box

Drawing Unit

mm

Drawing Scale

Not to scale

**DRAFT
SUBJECT TO
CHANGE**

Last Revised

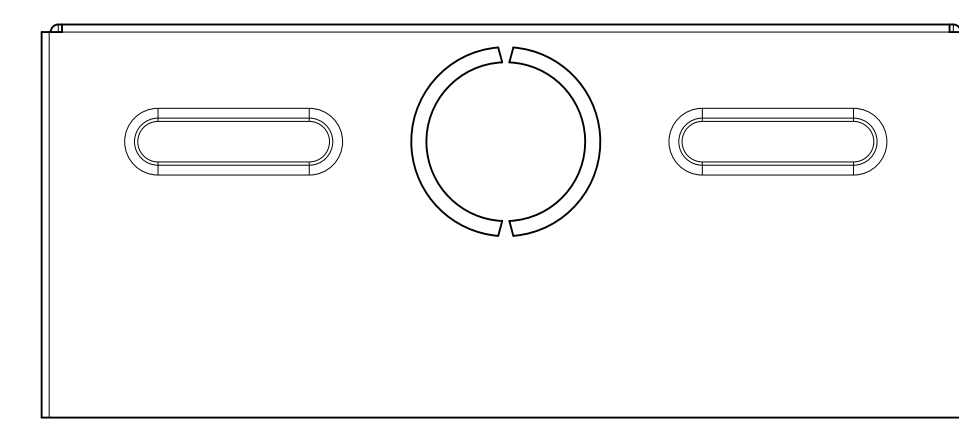
Mar 25,2020

Drawing Version

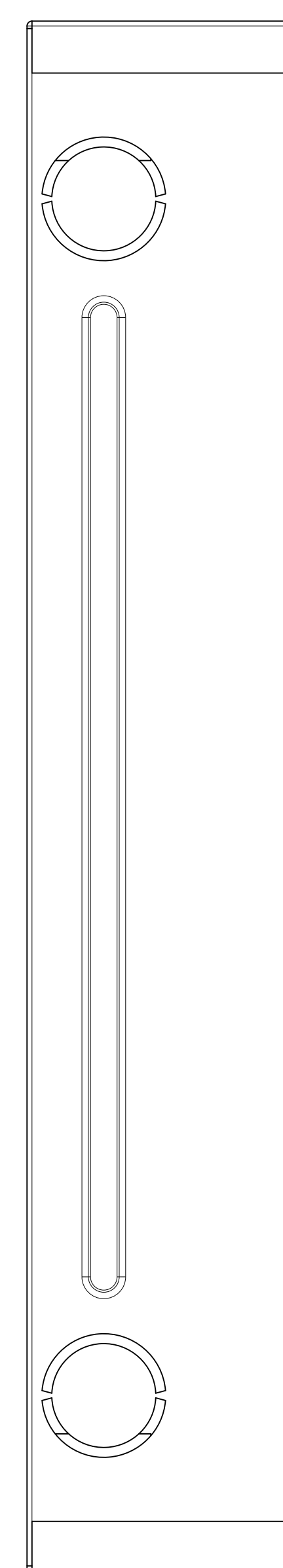
V1.0

Page

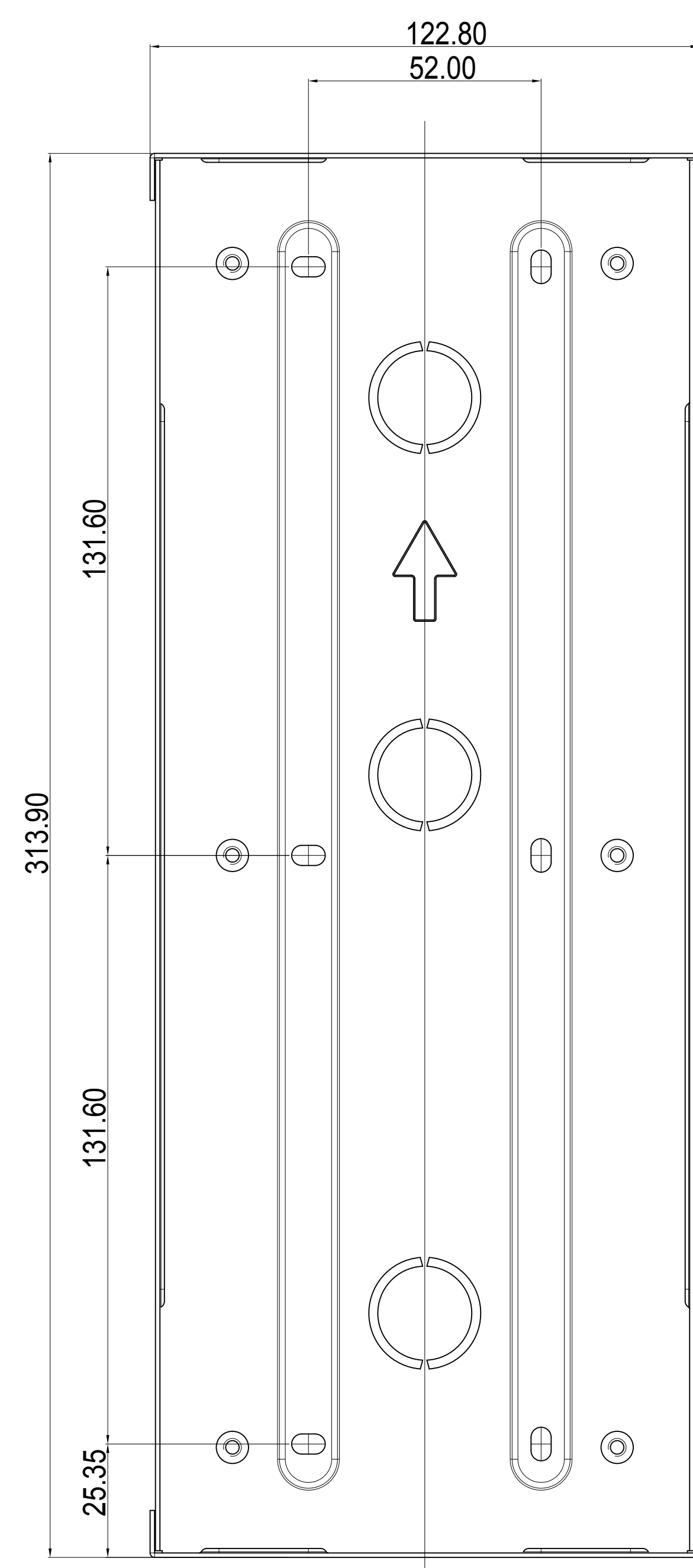
4 of 5



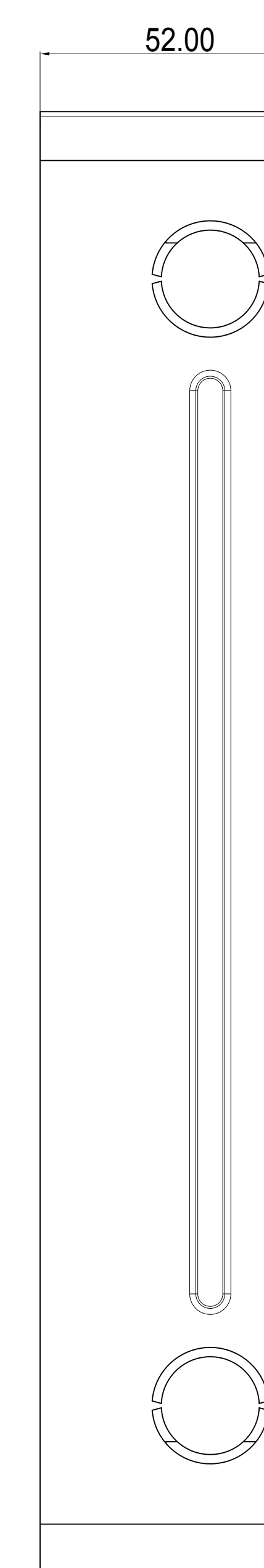
5 **TOP VIEW**



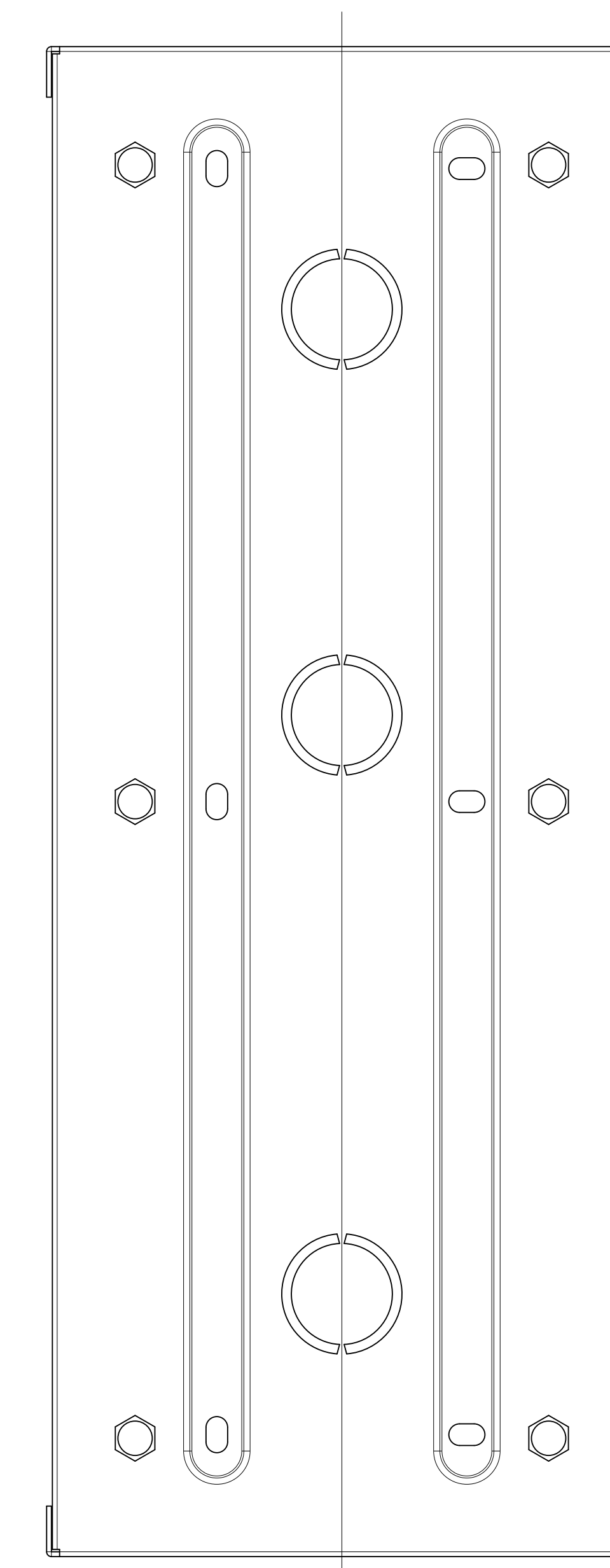
2 **RIGHT VIEW**



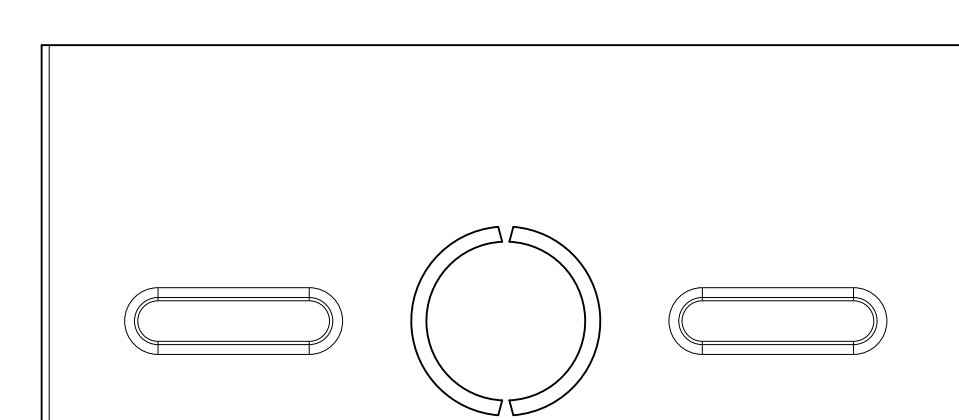
1 **FRONT VIEW**



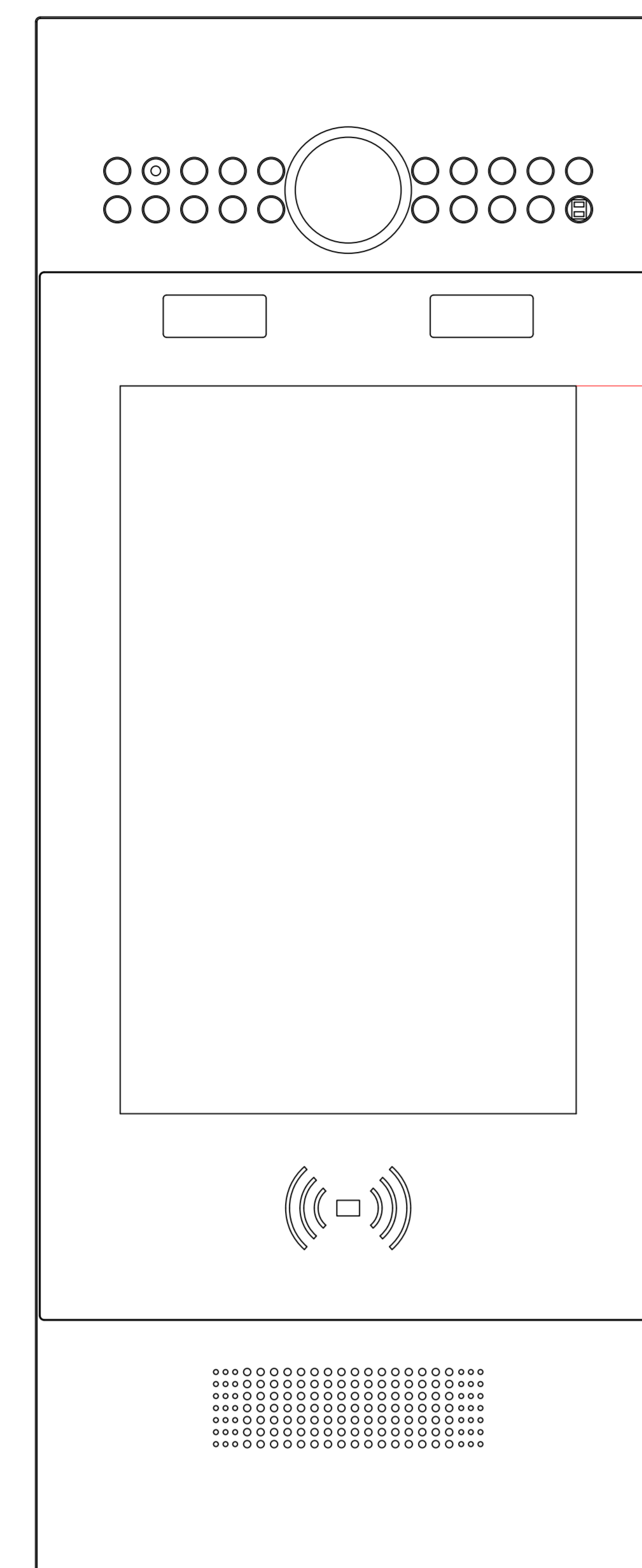
3 **LEFT VIEW**



4 **BACK VIEW**



6 **BOTTOM VIEW**



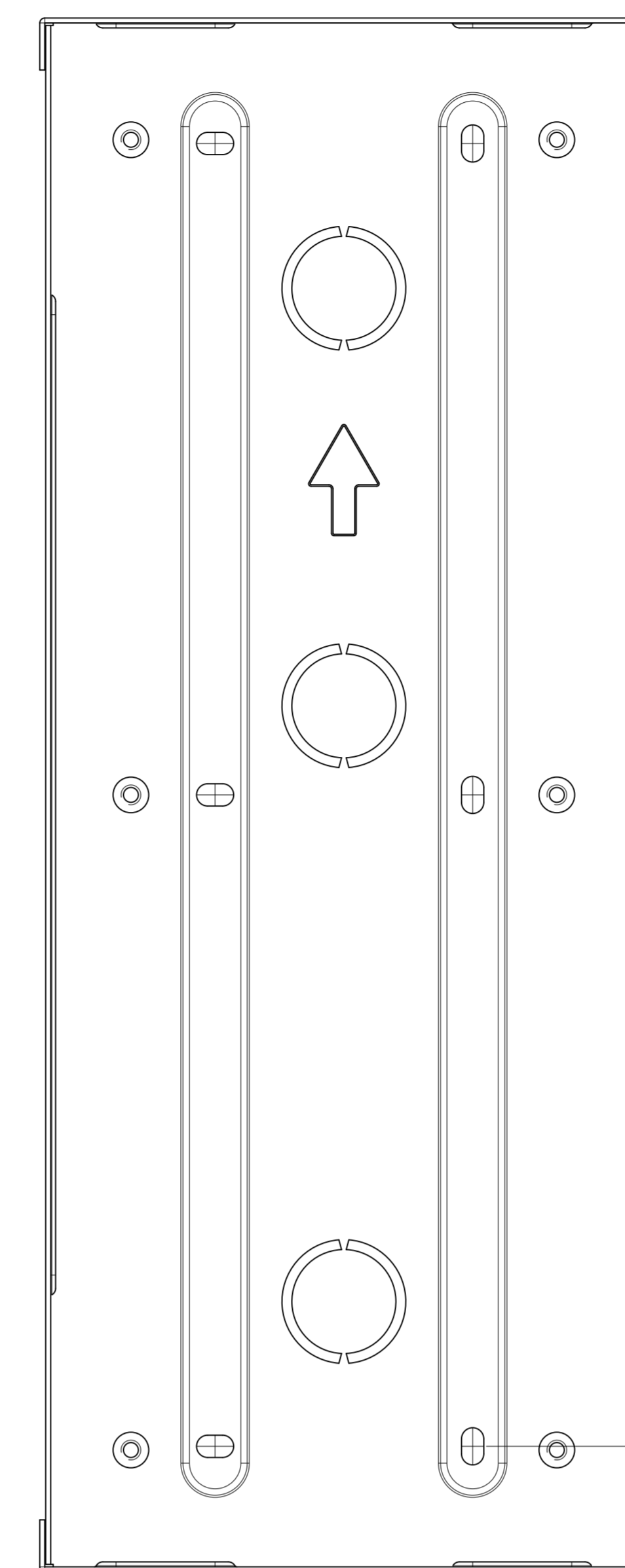
① INTERCOM PANEL FRONT VIEW

953mm TO BOTTOM OF PANEL

1200mm MAX TO TOP OF USABLE TOUCHSCREEN

ADA Compliance Requirement

GROUND

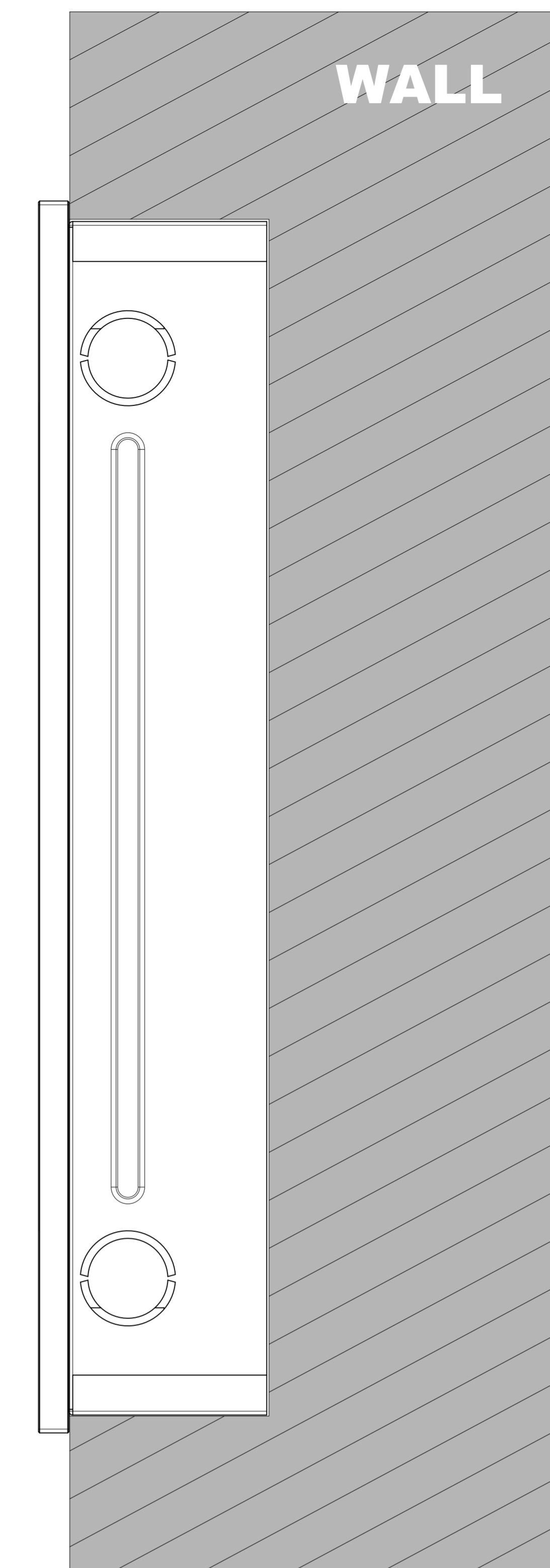


② FRONT VIEW: FLUSHING MOUNTING BOX PLACEMENT

958mm TO BOTTOM OF BRACKET

983mm TO SCREW HOLE CENTER OF BRACKET

GROUND



③ SIDE VIEW:INTERCOM IN WALL