

PFB202W

Water-proof Wall Mount Bracket



Features

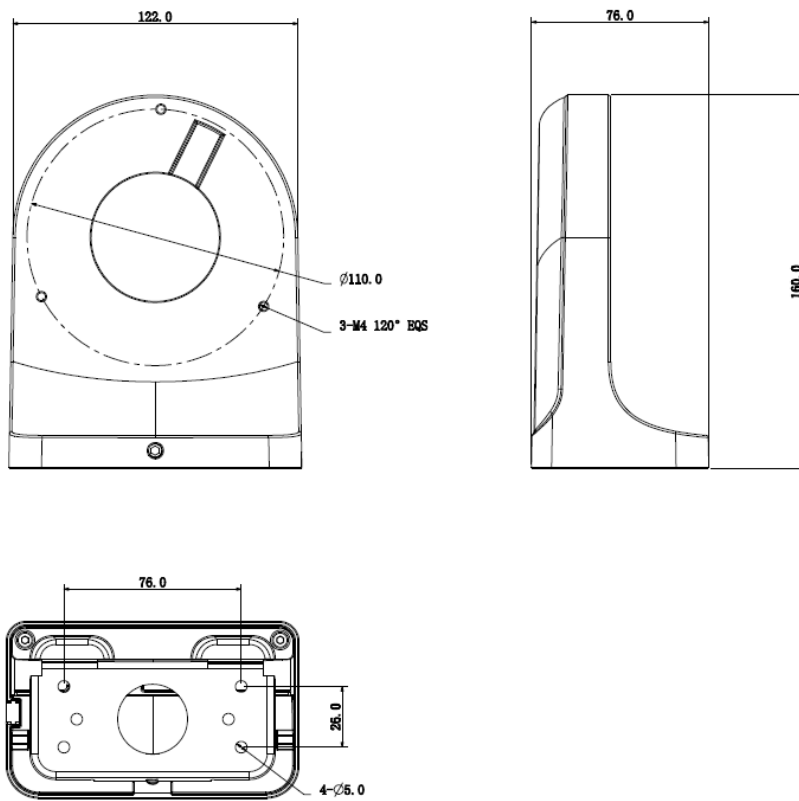
- Material: Aluminum
- Wall Mount Bracket
- Neat & Integrated design

Specifications

Model	PFB202W
General	
Material	Aluminum
Dimension (L x W x H)	160mm x 122mm x 76mm
Operating Temperature	-40°C~60°C
Humidity	0~90% RH
Load Bearing	1.0Kg
Weight	0.57Kg
Color	White
Applicable Model	Please see "Accessory Selection"

PFB202W

Dimensions (mm)



Application

