

## 2012/24AUSI

### Photoelectric Smoke Alarm with Integral Temp-3 Sounder

The 2012/24AUSI is designed to provide early warning of developing fires for occupants of residential and commercial buildings. The 2012/24AUSI is a photoelectric smoke alarm that is designed for open area protection.

Its compact design makes it attractive to look at and easy to install. The 2012/24AUSI photoelectric smoke-alarms are designed to respond to a broad range of fires while providing maximum stability.

The low-voltage wiring make them ideal for applications such as apartment buildings and nursing homes. Designed for use as open area protection up to 24 units may be interconnected.

These multi-voltage, 4 wire smoke alarms can be connected to many third-party devices such as security alarm systems and access control systems. The 2012/24AUSI is supplied complete with mounting ring and 9VDC back-up battery.



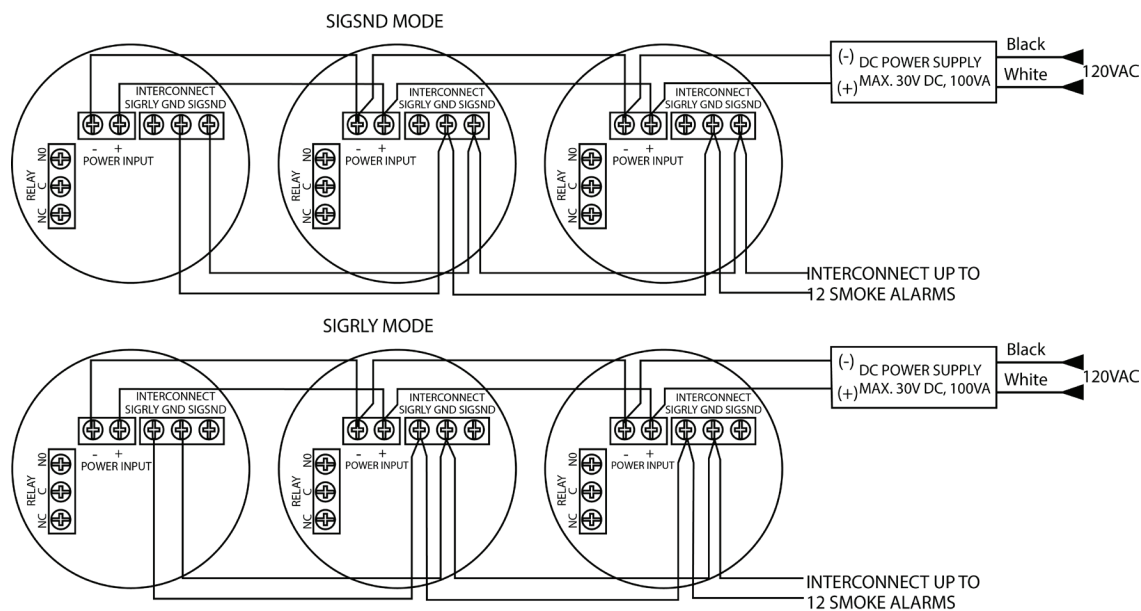
## FEATURES & BENEFITS

- Low profile design in ceiling white housing
- CSIRO certified and listed to AS3786:2014
- 85dB(A) at 3 meters
- 9-24 volt DC operation
- On-board 9 volt back-up battery
- NO/NC change-over alarm relay contacts
- 8 second alarm verification feature Audible emergency evacuation signal (ISO 8201)
- Custom dual-mode alarm relay, interconnect feature
- Automatic diagnostic test feature
- Custom 'easy-clean' chamber
- 'HUSH' / Test Push Button feature
- Interconnect up to 24 smoke alarms
- Temporal Horn Pattern
- Green and Red Bi-color LED Indication
- Visual and Audible indication of low battery and other fault conditions

## SPECIFICATIONS

| ELECTRICAL SPECIFICATIONS    |                                 |
|------------------------------|---------------------------------|
| SUPPLY VOLTAGE RANGE         | 10 VDC to 30 VDC                |
| MAXIMUM STANDBY CURRENT      | 60 µA maximum average           |
| MAXIMUM ALARM CURRENT        | 65 mA maximum average @10~30VDC |
| P-HORN SOUND OUTPUT LEVEL    | 85 dBA @ 3m                     |
| RELAY CONTACT RATING         | 1 Form C, 1A @ 30 V(DC or AC)   |
| BACK-UP BATTERY              | 9 VDC carbon zinc battery       |
| MECHANICAL SPECIFICATIONS    |                                 |
| SIZE                         | 55mm (H) × 135mm (diameter)     |
| WEIGHT                       | 220 grams                       |
| ENVIRONMENTAL SPECIFICATIONS |                                 |
| OPERATING TEMPERATURE RANGE  | 0°C to 50°C                     |
| RELATIVE HUMIDITY            | 5% to 93% R.H.                  |

# WIRING DIAGRAM



Maximum power bus length in meter, given number of units (maximum per bus) and wire size(mm). Supply Voltage = 12VDC

| WIRE SIZE | 1 UNIT | 2 UNIT | 3 UNIT | 4 UNIT | 5 UNIT | 6 UNIT | 7 UNIT | 8 UNIT | 9 UNIT | 10 UNIT | 11 UNIT | 12 UNIT |
|-----------|--------|--------|--------|--------|--------|--------|--------|--------|--------|---------|---------|---------|
| 1.5mm     | 3302   | 1652   | 1101   | 826    | 660    | 551    | 471    | 413    | 366    | 331     | 301     | 275     |
| 1mm       | 1633   | 817    | 544    | 408    | 327    | 273    | 233    | 205    | 182    | 163     | 149     | 135     |
| 0.75mm    | 819    | 411    | 273    | 205    | 163    | 138    | 117    | 103    | 91     | 82      | 75      | 68      |

| WIRE SIZE | 13 UNIT | 14 UNIT | 15 UNIT | 16 UNIT | 17 UNIT | 18 UNIT | 19 UNIT | 20 UNIT | 21 UNIT | 22 UNIT | 23 UNIT | 24 UNIT |
|-----------|---------|---------|---------|---------|---------|---------|---------|---------|---------|---------|---------|---------|
| 1.5mm     | 254     | 236     | 220     | 206     | 194     | 183     | 174     | 165     | 157     | 150     | 144     | 138     |
| 1mm       | 126     | 117     | 109     | 102     | 96      | 91      | 86      | 82      | 78      | 74      | 71      | 68      |
| 0.75mm    | 63      | 59      | 55      | 51      | 48      | 46      | 43      | 41      | 39      | 37      | 36      | 34      |

For 24VDC supply voltage, the maximum power bus length is 4 times as long as 12VDC supply voltage. Maximum interconnect bus length: 2000 meters, 0.75mm or larger cable. All wiring must conform to local electrical codes.

## PRODUCT LINE INFORMATION

### Agency Listings and Approvals

These listings and approvals apply to the modules specified in this document. In some cases, certain modules or applications may not be listed by certain approval agencies, or listing may be in process. Consult system consultant for latest listing status.

CSIRO Activfire listed to AS3786:2014 (27August2015)

## ORDERING

| ORDERING       |   |
|----------------|---|
| PSA2012/24AUSI | Photoelectric Smoke Alarm, 12V/24V with 9V batt AS 3786 2014 A1 |

Honeywell reserves the right, without notification, to make changes in product design or specifications.

2012/24AUSI Photoelectric Smoke Alarm | Rev 01 | 09/2018

**PSA Products**  
 17 Millicent Street, Burwood, VIC 3125 Australia  
 Tel: 1300 PSA PRODUCTS (1300 772 776)  
 Fax: (03) 9888 9993  
 enquiry@psaproducts.com.au [psaproducts.com.au](http://psaproducts.com.au)

**For more information, please contact:**  
[www.honeywell.com](http://www.honeywell.com)

**Honeywell Limited**  
 Honeywell Limited  
 9 Columbia Way, Baulkham Hills  
 NSW 2153, Australia  
 Tel: Australia - 1800 220 345 (Toll Free)  
 Tel: New Zealand - 800 220 345 (Toll Free)  
[www.honeywell.com](http://www.honeywell.com)

**Honeywell**  
 AUTHORIZED DISTRIBUTOR

